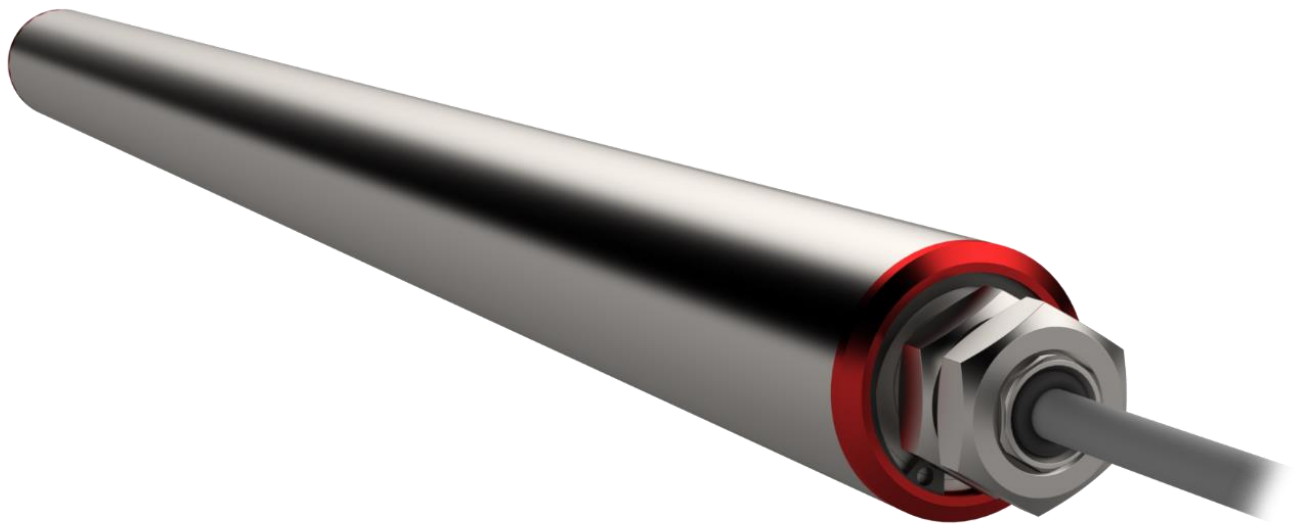
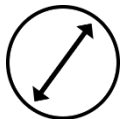


# **ROLLER DRIVE**

## **ADONIS 30**



24 VDC



Ø30mm



30W

The smallest roller drive convinces with excellent performance data. The drive for this motorized roller is the result of the consistent continued development work without compromise in terms of motor and transmission technology. The motors are combined with planetary gears which are dimensioned for maximum compactness and power density.

---

**Technical data**

Designation		Description
Nominal voltage	VDC	24
Power	W	30
Nominal current	A	3,0
Starting current	A	9,6

Ambient temperature*	°C	0 ... 40
Outer diameter	mm	Ø30
Wall thickness	mm	1,5
Tube material		galvanized steel, stainless steel
Tube**		cylindrical crowned tube PVC - hose coating cone for curves
Protection class		IP54

\* Other ambient temperatures on request.

\*\* Dimensions and design can be adapted to customer specifications.

## Versions

Power [W]	v [m/s]	M <sub>n</sub> [Nm]	M <sub>a</sub> [Nm]	F <sub>n</sub> [N]	F <sub>max</sub> [N]
<b>30</b>	0 ... 0,09	0,5	1,0	33	67
	0 ... 0,11	0,5	1,0	33	67
	0 ... 0,51	0,7	1,4	47	93
	0 ... 1,05	0,4	1,2	28	80

v speed  
 M<sub>n</sub> nominal torque  
 M<sub>a</sub> starting torque  
 F<sub>n</sub> nominal traction force  
 F<sub>max</sub> max. traction force

**Motor connection\***

Motor cable length 0,5m with connector M8, external motor controller

Signal	Pin	Description	Wire colour	
U	1	Motor phase U	brown	
V	2	Motor phase V	white	
W	3	Motor phase W	black	
NP	4	Neutral point	blue	
GND	5	Ground	grey	

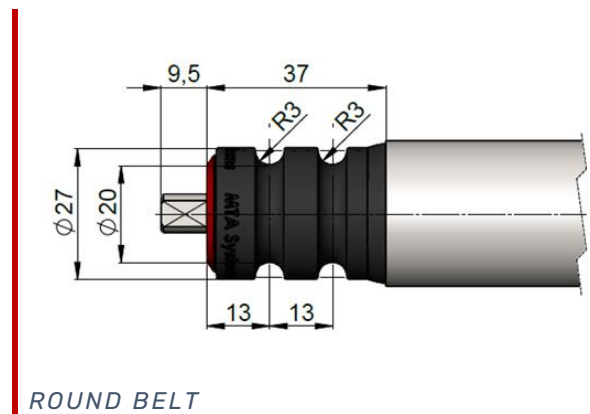
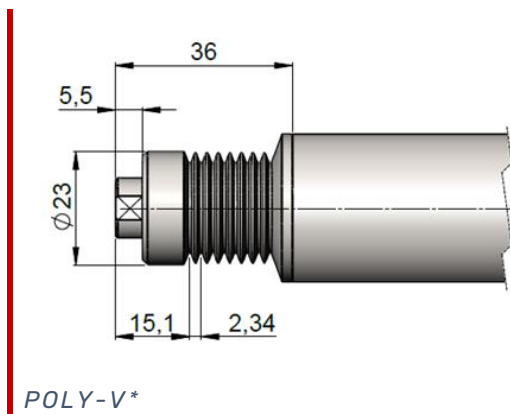
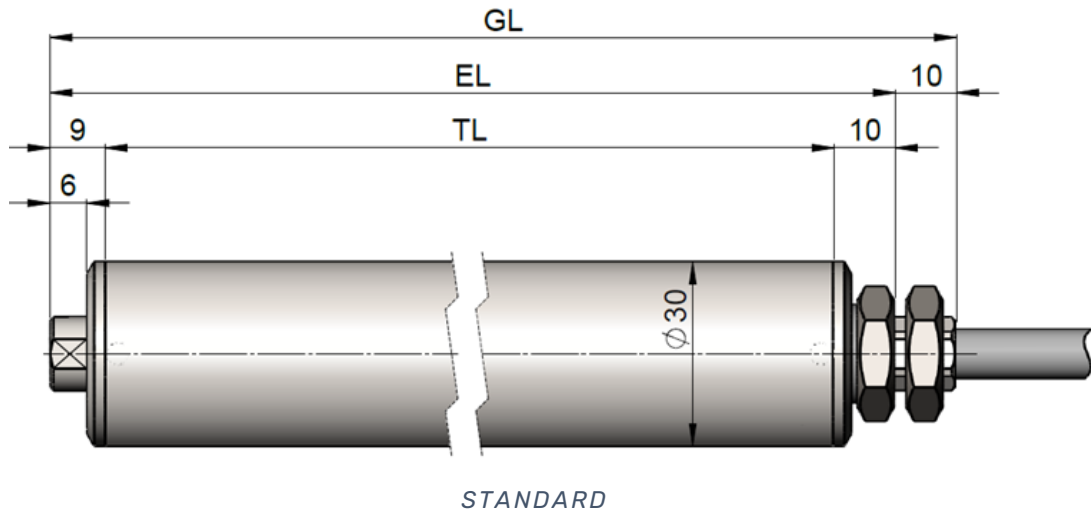
\* Assignment Hall – and encoder on request.

**Optional extensions\***

Feedback	Description
Hall sensor	5V, 3×120° - H1, H2, H3
Encoder	5V VTTL, 1024 I/U, A/B/I

\* Other feedback-systems on request.

**Dimensions**



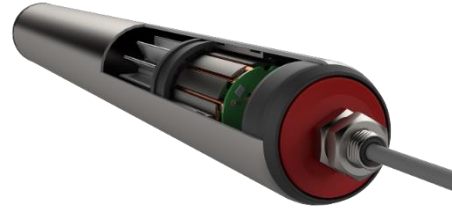
**\* Not available in Germany.**

GL overall length  
 EL clamping length  
 TL tube length

## „INNOVATION IS OUR DRIVE“

### MOTORIZED ROLLERS/DRUM MOTORS

*Highest power density in relation to the tube diameter.  
Suitable solutions for sorters, roller conveyors, lifting stations or chain conveyors.*

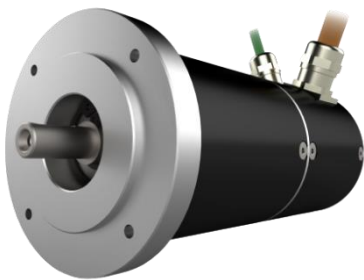


### WHEEL HUB DRIVE

*Whether differential or omnidirectional, individual drive solutions for shuttle or driverless transport systems up to 10m/s (36km/h) or more is possible.*

### DRIVE CONTROLLER

*Voltage range from 24/48VDC.  
Whether sensorless or with feedback system, an optimal control for the motors is guaranteed.*



### SYNCHRONOUS MOTORS

*Individual engine designs offer maximum flexibility for your application.  
Also available with attached gearbox.*

---

#### HEADQUARTER AT

Westbahnstraße 32  
4482 Ennsdorf  
Austria  
office@mta-innovation.com  
+43 720 920 500

[www.mta-innovation.com](http://www.mta-innovation.com)

#### SALES OFFICE DE

Neumeyerstraße 22-26  
90411 Nürnberg  
Germany  
office.de@mta-innovation.com  
+49 911 951 513 99

