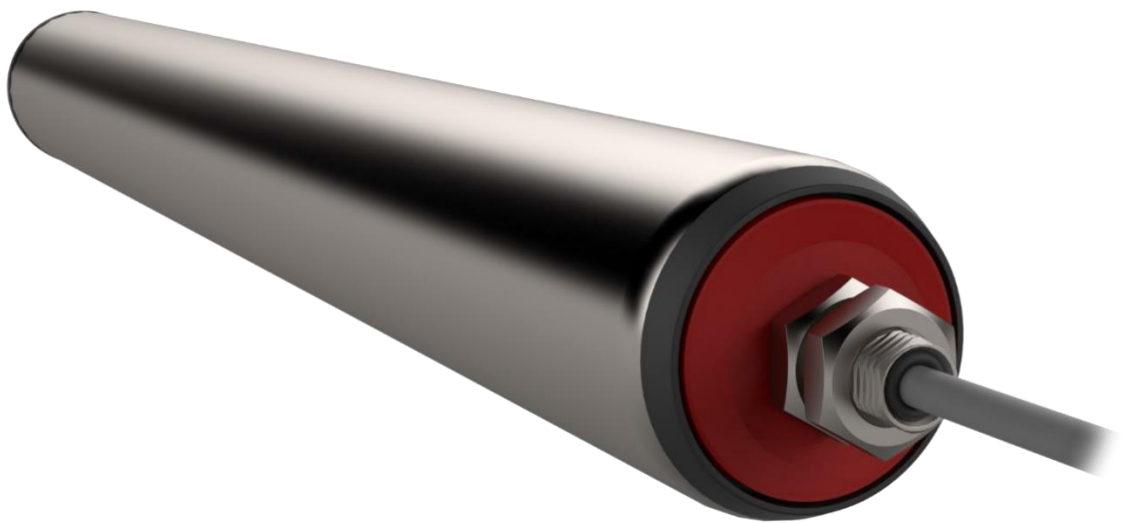
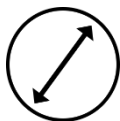


# **ROLLER DRIVE**

## **EUROPA 50**



24/48 VDC



Ø50mm



80W

The roller drives EUROPA 50 contain very powerful and at the same time efficient synchronous motors, which are designed for the respective operating range according to the latest calculation methods. Due to the brushless motors, the rollers are very energy efficient and offer a very compact design.

Furthermore, depending on the application, the roller can be equipped with a Poly-V or round belt for further power transmission.

---

**Technical data**

Designation		Description	
Nominal voltage	VDC	24	48
Power	W	80	80
Nominal current	A	4,6	2,3
Starting current	A	6,8	3,3

Ambient temperature*	°C	0 ... 40	
Outer diameter	mm	Ø50	
Wall thickness	mm	1,5	
Tube material		galvanized steel, stainless steel	
Tube**		cylindrical crowned tube PVC – hose coating cone for curves	
Protection class		IP54	

\* Other ambient temperatures on request.

\*\* Dimensions and design can be adapted to customer specifications.

## Versions

Power [W]	v [m/s]	M <sub>n</sub> [Nm]	M <sub>a</sub> [Nm]	F <sub>n</sub> [N]	F <sub>max</sub> [N]
<b>80</b>	0 ... 0,21	9,0	14,0	361	560
	0 ... 0,28	6,8	12,9	270	515
	0 ... 0,42	4,8	9,2	193	368
	0 ... 0,52	3,9	7,4	155	294
	0 ... 0,64	3,1	5,9	124	236
	0 ... 0,76	2,4	4,4	97	177

v speed  
 M<sub>n</sub> nominal torque  
 M<sub>a</sub> starting torque  
 F<sub>n</sub> nominal traction force  
 F<sub>max</sub> max. traction force

**Motor connection\***

Motor cable length 0,5m with connector M8, external motor controller

Signal	Pin	Description	Wire colour	
U	1	Motor phase U	brown	
V	2	Motor phase V	white	
W	3	Motor phase W	black	
NP	4	Neutral point	blue	
GND	5	Ground	grey	

\* Assignment Hall – and encoder on request.

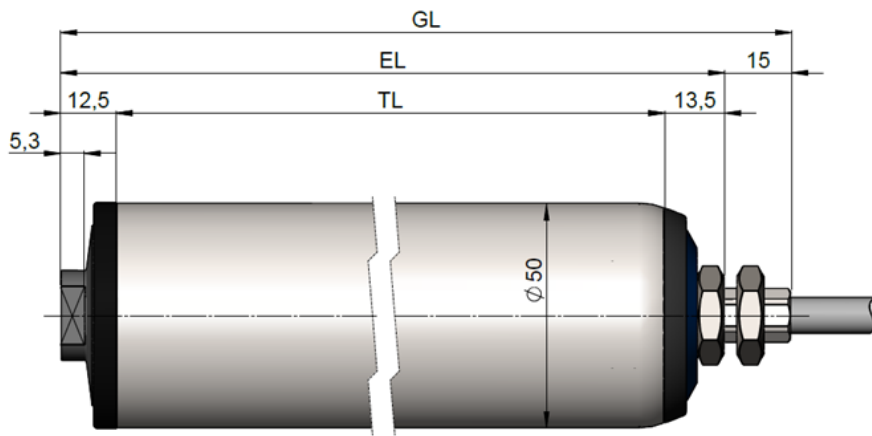
**Optional extensions\***

Feedback	Description
Hall sensor	5V, 3×120° - H1, H2, H3
Encoder	5V VTTL, 1024 I/U, A/B/I

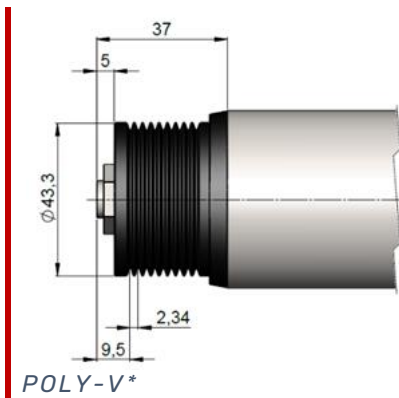
Holding brake	24VDC, 0,3Nm
---------------	--------------

\* Other feedback-systems and brakes on request.

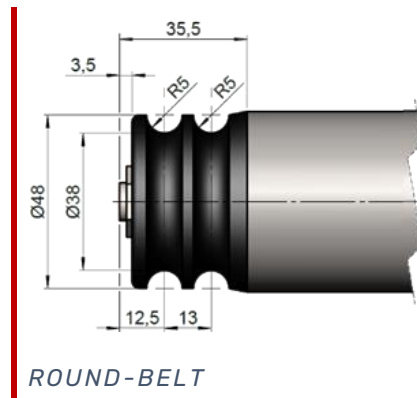
**Dimensions**



STANDARD

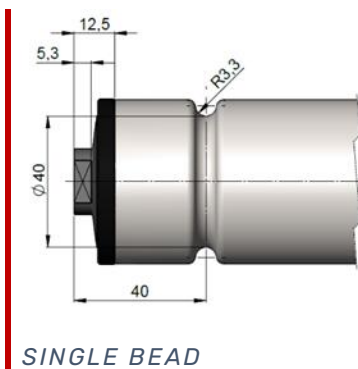


POLY-V\*

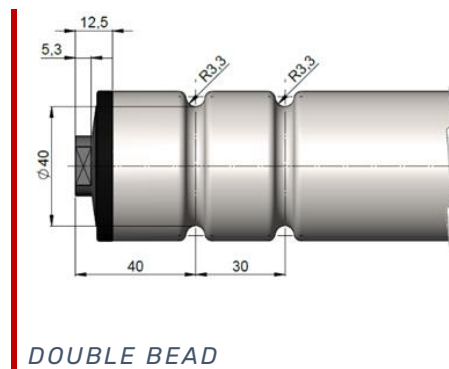


ROUND-BELT

**\*Not available in Germany.**



SINGLE BEAD



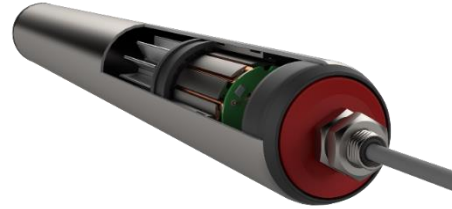
DOUBLE BEAD

GL overall length  
EL clamping length  
TL support tube length

## „INNOVATION IS OUR DRIVE“

### MOTORIZED ROLLERS/DRUM MOTORS

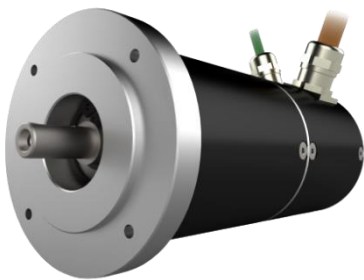
*Highest power density in relation to the support tube diameter.  
Suitable solutions for sorters, roller conveyors, lifting stations or chain conveyors.*



### DRIVE CONTROLLER

*Voltage range from 24/48VDC.  
Whether sensorless or with feedback system, an optimal control for the motors is guaranteed.*

**WHEEL HUB DRIVE**  
*Whether differential or omnidirectional, individual drive solutions for shuttle or driverless transport systems up to 10m/s (36km/h) or more is possible.*



### SYNCHRONOUS MOTORS

*Individual engine designs offer maximum flexibility for your application.  
Also available with attached gearbox.*

---

#### HEADQUARTER AT

Westbahnstraße 32  
4482 Ennsdorf  
Austria  
office@mta-innovation.com  
+43 720 920 500

[www.mta-innovation.com](http://www.mta-innovation.com)

#### SALES OFFICE DE

Neumeyerstraße 22-26  
90411 Nürnberg  
Germany  
office.de@mta-innovation.com  
+49 911 951 513 99

