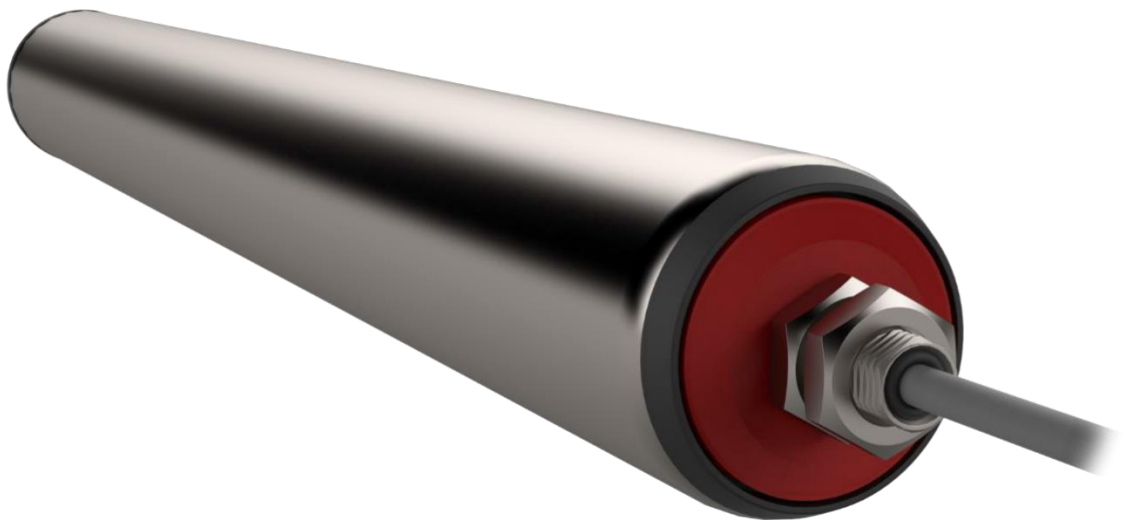
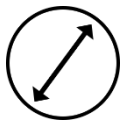


ROLLER DRIVE

HERMES 60



48 VDC



Ø60mm



190W

The HERMES 60 are motorised rollers with an outer diameter of 60mm in a gearless design. This motorised roller operates almost noiselessly and without wearing parts. Fields of application for the motorised roller are conveyor systems for zero-pressure accumulation conveying as well as for shuttles, belt conveyors and sorting systems. Due to the gearless design, very compact designs are possible.

Technical data

Designation		Description
Nominal voltage	VDC	48
Power	W	190
Nominal current	A	5,5
Starting current	A	63

Ambient temperature*	°C	0 ... 40
Outer diameter	mm	Ø60
Wall thickness	mm	1,5
Tube material		galvanised steel, stainless steel
Tube**		cylindrical crowned tube pvc – house coating cone for curves
Protection class		IP54

* Other ambient temperatures on request.

** Dimensions and design can be adapted to customer specifications.

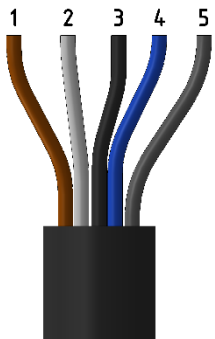
Versions

Power [W]	v [m/s]	M_n [Nm]	M_a [Nm]	F_n [N]	F_{max} [N]
190	0 ... 1,9	3,0	15,0	100	500

v speed
M_n nominal torque
M_a starting torque
F_n nominal traction force
F_{max} max. traction force

Motor connection*

Motor cable length 0,5m with open ends, external motor controller

Signal	Pin	Description	Wire colour	
U	1	Motor phase U	Brown	
V	2	Motor phase V	White	
W	3	Motor phase W	black	
NP	4	Neutral point	Blue	
GND	5	Ground	grey	

* Assignment Hall on request.

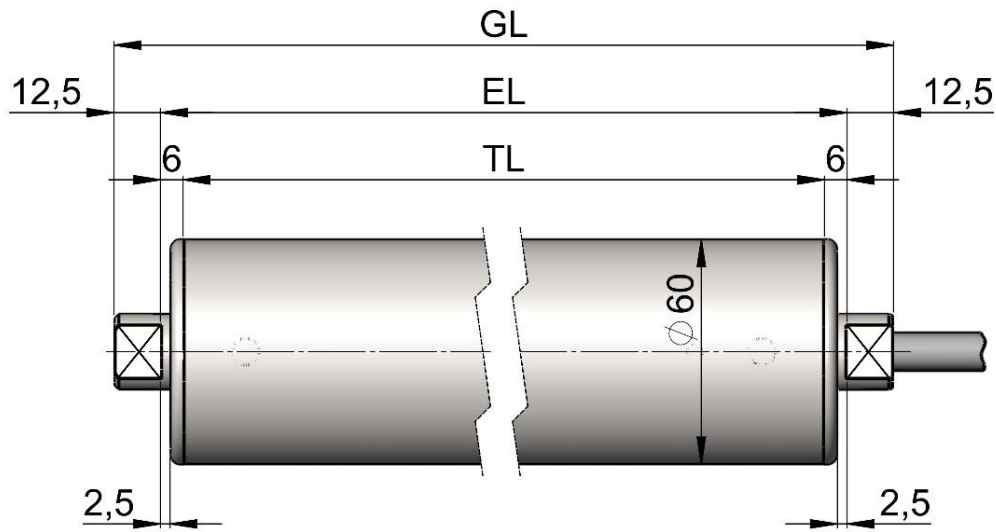
Optional extensions*

Feedback	Description
Hall sensor	5V, 3×120° - H1, H2, H3

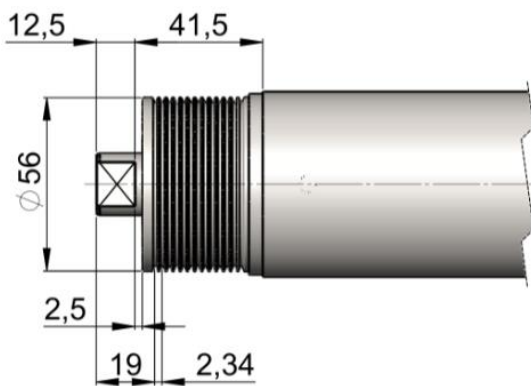
* Other feedback-systems on request.

Dimensions

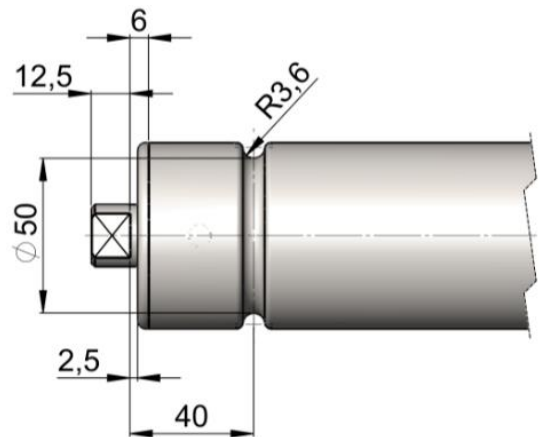
STANDARD



POLY-V*



ROUND-BELT



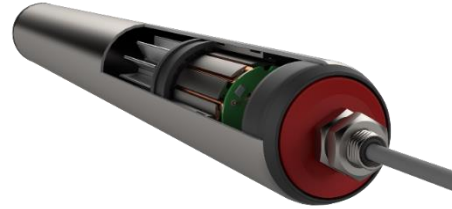
* Not available in Germany.

GL overall length
EL clamping length
TL tube length

„INNOVATION IS OUR DRIVE“

MOTORIZED ROLLERS/DRUM MOTORS

*Highest power density in relation to the support tube diameter.
Suitable solutions for sorters, roller conveyors, lifting stations or chain conveyors.*

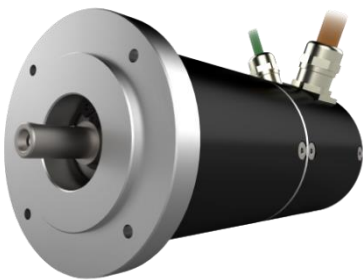


WHEEL HUB DRIVE

Whether differential or omnidirectional, individual drive solutions for shuttle or driverless transport systems up to 10m/s (36km/h) or more is possible.

DRIVE CONTROLLER

*Voltage range from 24/48VDC.
Whether sensorless or with feedback system, an optimal control for the motors is guaranteed.*



SYNCHRONOUS MOTORS

*Individual engine designs offer maximum flexibility for your application.
Also available with attached gearbox.*

HEADQUARTER AT

Westbahnstraße 32
4482 Ennsdorf
Austria
office@mta-innovation.com
+43 720 920 500

www.mta-innovation.com

SALES OFFICE DE

Neumeyerstraße 22-26
90411 Nürnberg
Germany
office.de@mta-innovation.com
+49 911 951 513 99

